

Why Should I Buy an OptiFlex™?

With ITW Gema's OptiFlex Series, you've got all you need to power up your productivity... right in the palm of your hand!

From the OptiSelect™ Gun to the OptiStar™ Control Unit and OptiFlow™ Pump, every component of the system is designed for total reliability, convenience, and performance.

Choose Fluidizer, Box, or Stirrer units. The result is always flexible and consistent high-quality coating of parts and products... with less effort, less operator training time, and fewer things to go wrong all along the way.

So advanced that it's incredibly simple, the OptiFlex is truly the practical answer for manual powder coating.

Service and Support

In addition to our unique five-year warranty, our products are supported by a dedicated service team. ServiceNetSM is our 24-hour nationwide network of engineers and factory-trained distributors ready to provide you with a high level of local support.



All ITW Gema products are covered by ServiceNet.



Member of The Powder Coating Institute



Member of The Chemical Coaters Association International

ITW Gema

Superior By All Measures

ITW Gema

An Illinois Tool Works Company

P.O. Box 88220 Indianapolis, IN 46208-0220

Phone 800-628-0601 Fax 317-298-5010

Web www.itwgema.com E-mail powdersales@itwgema.com

©2005 ITW Gema ITW Gema, OptiFlex, OptiFlex-B, OptiFlex-F, OptiFlex-S, OptiSelect, OptiStar, OptiFlow and FirstPass Power are all trademarks of ITW Gema. The ServiceNet logo and ServiceNet are service marks of ITW Gema.

OPTIFLEX

100,000 VOLTS OF FIRSTPASS POWER



TM

COAT IT RIGHT THE FIRST TIME — EVERY TIME

Power Up Your Productivity



The World Leader in Powder Coating Systems

ITW Gema

Superior By All Measures

The First Pass Power Gun

100,000 VOLTS

™ IT'S ALL ABOUT THE GUN

- Minimize downtime
- Spray less powder
- Reduce labor costs
- Experience fewer rejects

The OptiFlex™ is the most versatile, flexible and easy-to-use manual powder coating series available. Why? First, because of the FirstPass Power™ Gun, the OptiSelect™. ITW Gema's new gun is lightweight, balanced and comfortable to use. It produces up to 100,000 volts of power for maximum transfer efficiency and consistent results. And with the on-gun remote controls, fewer parts and no powder tube to replace, the OptiSelect is easy to use and maintain.



OptiSelect™ Manual Powder Gun

Lightweight OptiSelect Gun weighs less than 19 ounces and uses only a few, simple-to-change parts



OptiSelect On-Gun Remote Control

Allows convenient adjustment of powder output and program changes

OPTISELECT

MANUAL POWDER GUN

ITW Gema's OptiFlex Powder Coating Series. It's All About the Gun.

The heart of the OptiFlex Series is ITW Gema's state-of-the-art gun, the OptiSelect™. The OptiSelect is an ergonomic and lightweight gun, capable of generating heavyweight power. The gun weighs less than 19 ounces, but produces up to 100,000 volts of power for maximum transfer efficiency and consistent results. The OptiSelect is the most comfortable and well balanced gun that ITW Gema has ever produced.

Simple to operate on-gun remote controls for program selection and powder output make your powder coating easier. With no powder tube and fewer parts, OptiSelect is almost maintenance-free and a breeze to clean. If you're looking for quick color change, OptiSelect is the answer. The new quick-

release powder hose can be easily disconnected from the gun and tips and nozzles are simple to remove, facilitating cleaning. With its advanced design, OptiSelect is capable of spraying the most challenging powders... including metallics.



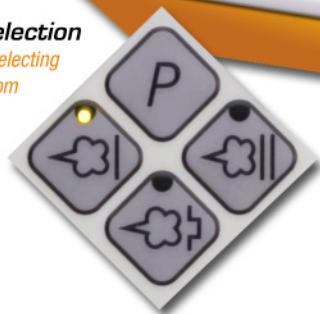
Second, the OptiStar™ Advanced Control Unit provides all the control flexibility you need to powder coat for any application. The OptiStar gives you 20 custom programs that allow you to adjust settings for powder output, air volume, current, and voltage... and save and recall them at any time.

For the ultimate in simplicity, the OptiStar reduces everything down to 3 buttons. Choosing one of these preprogrammed settings automatically adjusts the system to suit any application. Combined with ITW Gema's patented Digital Valve Control (DVC) for air regulation, and the OptiFlow™ High Performance Powder Pump, you're coating like a pro – even if you're not one. Third, the OptiFlex combines all that control with superior powder handling in three different units – the OptiFlex-B™ Manual Box Unit, the OptiFlex-F™ Manual Fluidizer Unit for continuous powder use and the OptiFlex-S™ Manual Stirrer Unit for difficult-to-spray powders. With ITW Gema's OptiFlex Manual Powder Coating Series, you've got all the power and flexibility to coat it right the first time – every time!



Program Selection

OptiStar makes selecting between 20 custom programs or 3 preprogrammed settings easy



OptiStar™ Advanced Control Unit

Offers a simple selection of options, giving operators all the versatility they need for any job



OptiSelect Gun Quick-Disconnect

Quick-release powder hose connector makes cleaning and color changeovers fast



Power for Control Freaks.

Want maximum power AND control? You've got it, with the OptiStar™ Advanced Control Unit. OptiStar's patented Digital Valve Control (DVC) assures consistent powder delivery. This precise microprocessor controlled system regulates all air required for powder coating and automatically keeps the system balanced and in control... for any application. The OptiStar is the only control unit in the industry that features Digital Valve Control!

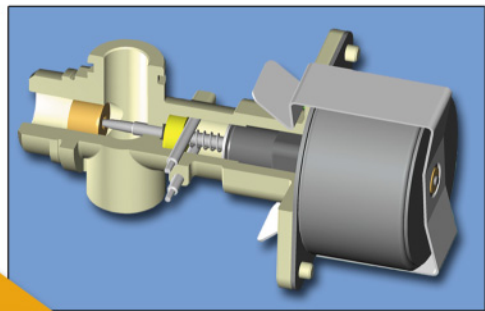
The OptiStar features an easy-to-use interface with all display settings visible at a quick glance. For maximum flexibility, the OptiStar gives you 20 custom coating programs that can be input with your choice of settings for powder output, air volume, current, and voltage. For simplicity, 3 preprogrammed settings are also available: a maximum setting for coating flat parts, a reduced current setting for coating complicated parts, and a lower voltage for re-coating parts. Now THAT'S total control over your powder coating!



All units are covered by
ITW Gema's unique
5-year warranty.

OptiStar™ Digital Valve Control

The OptiStar Digital Valve Control (DVC) adjusts
all air required for powder coating, automatically keeping
the system balanced and in control for any application



OptiFlow™ High Performance Powder Pump

Assures uniform
powder delivery in
every application. Its
advanced features
speed installation
and removal, while
also making cleaning
and maintenance
extremely easy



OptiFlow™ High Performance Powder Pump

The OptiFlow pump's advanced engineering assures
uniform powder delivery for all applications. The color-keyed
disconnects facilitate fast installation and removal of the air
supply hoses. The OptiFlow has only one major wear part,
keeping operational costs exceptionally low. The use of two
O-rings provides improved, dependable sealing and its
plug-in design makes for a reliable fit and easy cleaning
for most color changes.

OptiFlow's precision-manufactured injector jet eliminates
impact fusion and wear, while integrated check valves
prevent powder migration into the OptiStar control unit.
The OptiFlow pump helps you achieve optimal performance
in all OptiFlex Series manual powder coating units!

OptiFlex-B™ Manual Box Unit

OptiFlex Manual Box Unit delivers fast turnaround for small to medium production runs, and when color change is a critical part of your powder coating operation

OptiFlex-F™ Manual Fluidizer Unit

The OptiFlex-F combines flexibility and economy ideal for medium to large production runs



OptiFlex-B™ Manual Box Unit

For quick and easy color changes, the OptiFlex-B Manual Box Unit is your perfect choice. It is designed to use the powder manufacturer's original carton.

An inclined vibration table allows complete emptying of the powder box via the fluidizing suction tube. As an option, the OptiFlex-B is available as a double-gun version for spraying both sides in an online booth.

OptiFlex-F™ Manual Fluidizer Unit

The OptiFlex-F features a hopper to hold large quantities of powder for continuous use. It is ideal for medium to large production runs and gently fluidizing the powder, right in the hopper. The OptiFlex-F is also available with the double-gun option.

OptiFlex-S™ Manual Stirrer Unit

For difficult-to-spray powders – like metallics, the OptiFlex-S is your best choice. It features an agitator for hard-to-fluidize or dry-blended materials and is easy to empty via a dump valve located under the stirrer container.

Powder can be emptied directly into the original powder box. Like the OptiFlex-B and OptiFlex-F units, the OptiFlex-S is available with the double-gun option.

OptiFlex-S™ Manual Stirrer Unit

OptiFlex-S Unit provides improved material handling for difficult to fluidize powders and dry blended materials



OptiFlex-W™ Manual Wall Unit

*When a cart is not required,
the OptiFlex-W mounts to any
powder coating booth*



OptiFlex-W™ Manual Wall Unit

The OptiFlex-W is the most flexible solution for attachment to a wall or existing powder coating booth. Perfect for permanent installations where a cart is not required. The mounting bracket can be adapted to almost any style of booth. Adapter kits are available for non-ITW Gema powder hoppers.

OptiFlex-L™ Manual Lab Unit

The perfect solution for laboratory powder coating applications is the OptiFlex-L Lab Unit. Designed for short runs, the Lab Unit features a three-pound fluidizing powder hopper and is easily cleaned between color changes. The OptiFlex-L is mounted on a heavy-duty, tabletop stand.

OptiFlex-C™ Manual Cup Unit

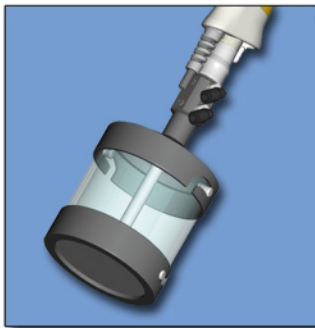
Designed for small sample testing or powder manufacturers, the Cup Unit incorporates the Application Cup to the OptiSelect gun. The cup is self-fluidizing and is easy to clean, making color changes fast and easy.

OptiFlex-L™ Manual Lab Unit

*OptiFlex-L is a tabletop
unit that's perfect for
multiple colors in short
production runs*

OptiFlex-C™ Manual Cup Unit

*OptiFlex-C is ideal for
powder manufacturers
or sample testing. The
Application Cup attaches
directly to the powder
hose connection*



Compare OptiFlex to Any Other Powder Coating System

No matter which OptiFlex Series you need... the OptiFlex-B, F, S, W, L, or C... they all work flawlessly with the OptiStar Advanced Control Unit and the OptiSelect gun. A powder coating series that gives you the FirstPass Power™ to coat your parts right the first time – every time. We think you'll agree – there's no comparison!

	OptiFlex™ Manual Powder Coating Series	OTHER Manual Coating Brands
Gun		
On-gun remote control powder delivery and application settings	√	√
Integrated cascade power supply	√	√
One-piece gun body construction	√	
Quick-release powder feed hose connection	√	
No need to replace powder tube	√	
Two wear items or less	√	
Three-quarter-turn nozzle sleeve release	√	
Standard nozzles compatible with conventional and/or metallic powders	√	
Gun weight of less than 19 ounces	√	
Control Unit		
Microprocessor-based technology	√	√
Membrane switch, touch pad design	√	√
Help code displays	√	
20 Custom Programs	√	
3 Preprogrammed application settings	√	√
Adjustable voltage and current settings	√	√
Digital Control Valve (DVC) for precise displacement of total air supply to pump	√	
Automatic air balance for delivery control	√	√
Automated unit recalibration system	√	
Optional system lock-out eliminating operator adjustments	√	
Pump		
Powder-prohibiting check valves	√	
Quick, connection-exclusive, keyed disconnects	√	
Precisely located, die-cast injector jet	√	
Wear items manufactured of durable Teflon®	√	√
One replaceable wear item	√	
System		
Mobile cart	√	√
Fluidizer style unit	√	√
Vibrating table style unit	√	√
Stirrer style unit	√	
Utility compartment standard on all units	√	
Convenient inspection port standard on Fluidizer hopper	√	
Three heavy-duty lifting handles on fluidizer hopper	√	